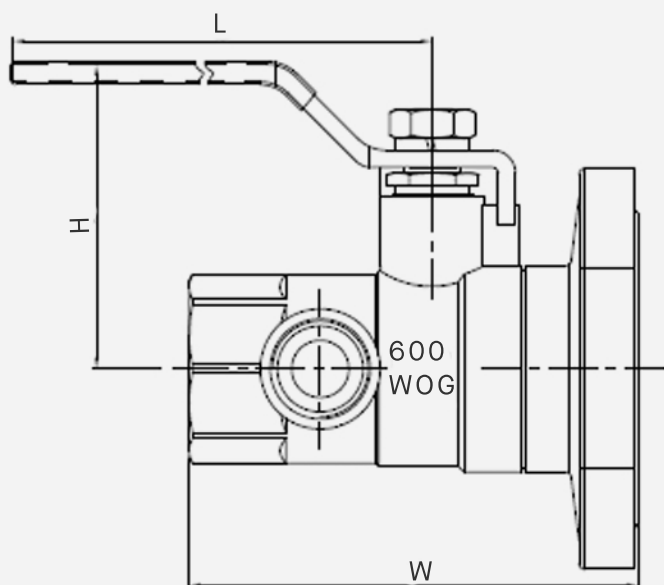


Threaded Isolation Flange

With Hose Drain and Rotating Flange

FEATURES

- Detachable Rotating Flange – Simplifies installation and maintenance by allowing easy access to system components without the need for complete disassembly.
- Sweat Connection – Offers a strong, permanent bond for a leak-free system.
- Brass Construction – Provides excellent durability and resistance to corrosion.
- Includes Bleeder – For quick and safe removal of air pockets from the system
- Meets ISO 9001 Standards



SKU	L	W	H
IFTHR075	3.46"	3.05"	2.11"
IFTHR100	4.29"	3.26"	2.24"
IFTHR125	5.63"	3.80"	2.48"